

CO2 CANISTER DIP/SIPHON TUBE

JetChill machine connects to Co2 cylinder with a dip/siphon tube (denoted by white stripe down)

Dip/siphon tube enables machine to withdraw liquid (instead of vapour) so machine can create solid dry ice

Cylinder can be rented or purchased from cylinder supplier

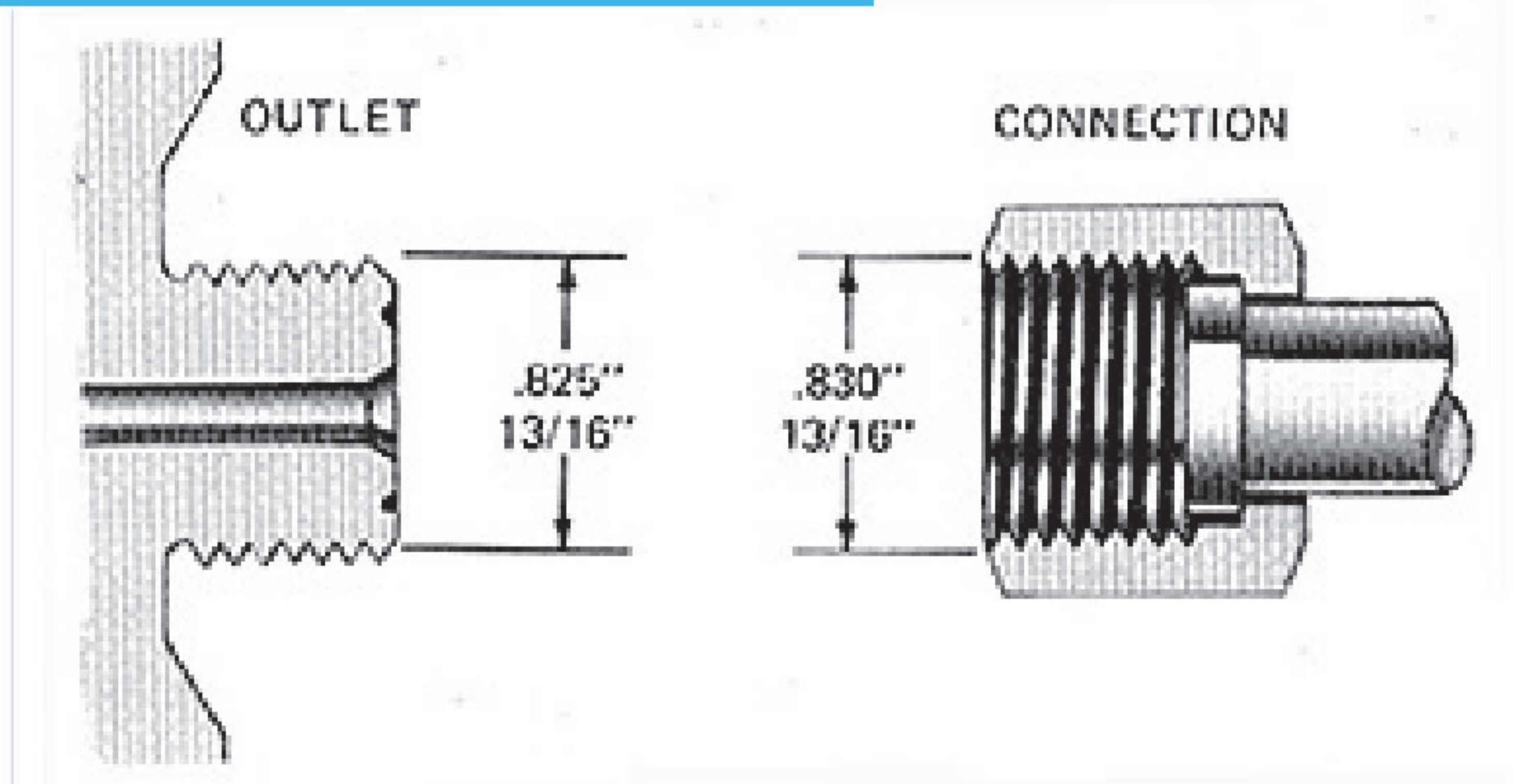
Most suppliers will deliver/collect/refill, to/from an address and also collection/return from/to store

Each country has choice of national and local suppliers (information available upon request)

1. Please ensure you read your cylinder suppliers safety data sheets before using machine
2. Liquid Co2 Cylinders are held under high pressure (50 bar in the UK) and misuse may result in injury
3. Co2 gas is an asphyxiant and may cause injury if not handled in accordance with cylinders suppliers safety data sheet, Confined Spaces Regulation and JetChill User Manual
4. Solid Co2 (dry ice) is -79 degrees Celsius and may cause freeze burns if not used correctly in accordance with JetChill User Manual



CANISTER CONNECTION USA CGA 320



SUPPLIER EXAMPLE AIRGAS

Company:	Airgas
Cylinder:	CD FG20AS
Cost:	\$25/Cylinder, \$25/delivery
Contact:	Brian Ansell
Phone:	877-717-4540 ext. 11420
Email:	brian.ansell@airgas.com