



BROOD Refreshments Co. Ltd

Contact

hello@drinkbrood.com

www.drinkbrood.com

+1 (514) 549-9670

Monday to Friday

from 10.00 am to 6.00 pm ET

1585 Britannia Road E - Unit C10

Mississauga ON, Canada

L4W 2M4

Nitro Cold Brew Dispenser

BROOD NITRO V2PX - DUAL TAP COLD

Instruction Manual



Content

Safety Regulations	1	Care	7
General Information	2	Clean & Maintenance	7
Components	3	Daily Flush	7
Specifications	3	Weekly Cleanse	7
Installation	4	Troubleshooting	8
Setup	4	FAQ	9
Connect to Container	4	Warranty	10
Operation	5	Decommissioning	11
Adjustable Settings	6	Storage	11
Temperature Control	6	Disposal	11
Nitrogen Calibration	6	Contact	11

Never allow water to come into contact with any of the electrical parts of the Nitro V2PX: There is a danger of creating a short circuit.

Intended Use

The Nitro V2PX is intended to be used in cafes, restaurants, and pantries. It dispenses liquid from any pressurized or non-pressurized container by drawing liquid, infusing it with atmospheric nitrogen and chilling it to 2°C. Do not use boiling or unfiltered liquids. The Nitro V2PX must only be operated by a trained person. The appliance is not to be used by persons (including children) with reduced physical, mental or sensory abilities or with scarce experience and/or expertise, unless they are supervised by a person responsible for their safety, or they are instructed by this person on how to properly use the Nitro V2PX.

Power Supply

The Nitro V2PX must be connected to the power supply in accordance with its specifications. Only connect the Nitro V2PX with the specified supply voltage.

Power Cord

Never use the Nitro V2PX if the power cord is defective. Report any defects in the cord and/or plug to the service provider immediately. Do not pass the power cord around corners, over sharp edges or over hot objects and keep it away from oil. Do not use the power cord to carry or pull the Nitro V2PX. Do not pull out the plug by the power cord nor touch it with wet hands. Do not let the power cord hang freely from tables or shelves.

For the Safety of Others

Ensure that children cannot play with the Nitro V2PX and/or the packaging materials. Observe the warning and safety instructions on the electrical components and in this manual. Improper use of the Nitro V2PX such as opening it during operation, incorrectly operating it, or not following standard guidelines for operating electrical equipment may lead to injury.

Fire Safety Precautions

In case of fire, use carbon dioxide (CO₂) extinguishers. Do not use water or dry powder extinguishers.

Suitable Location for Operation and Maintenance

The Nitro V2PX should be installed in accordance with the safety regulations in force at the time of installation. Use the Nitro V2PX in an environment between 7°C and 32°C. Make sure it is a dust-free environment. Avoid placing open flames and/or incandescent objects near the Nitro V2PX to avoid melting or other damage to the dispenser housing. If the dispenser has been exposed to such conditions, alert the service provider who will carry out a safety check.

Storing the Nitro V2PX

If the Nitro V2PX is to remain inactive for a long time, turn it off and unplug it. Store the Nitro V2PX in a dry place, out of the reach of children. Make sure the storage area is between 2°C and 37°C. Keep it protected from dust and dirt.

Repairs / Maintenance

In case of failure, problems or a suspected fault resulting from a fall, immediately remove the plug from the power socket and alert the service provider or specialized technician. Never attempt to operate the Nitro V2PX if it is faulty. Please report any fault in the Nitro V2PX to your service provider. Only the service provider and/or technician may carry out servicing operations and repairs on the Nitro V2PX, unless otherwise informed. Any repair of the dispenser must be done only when it is switched off and it is ascertained that there is no electric current. All spare parts must be obtained from your service provider. Follow the service and maintenance instructions in this operation manual.

GENERAL INFORMATION

Use

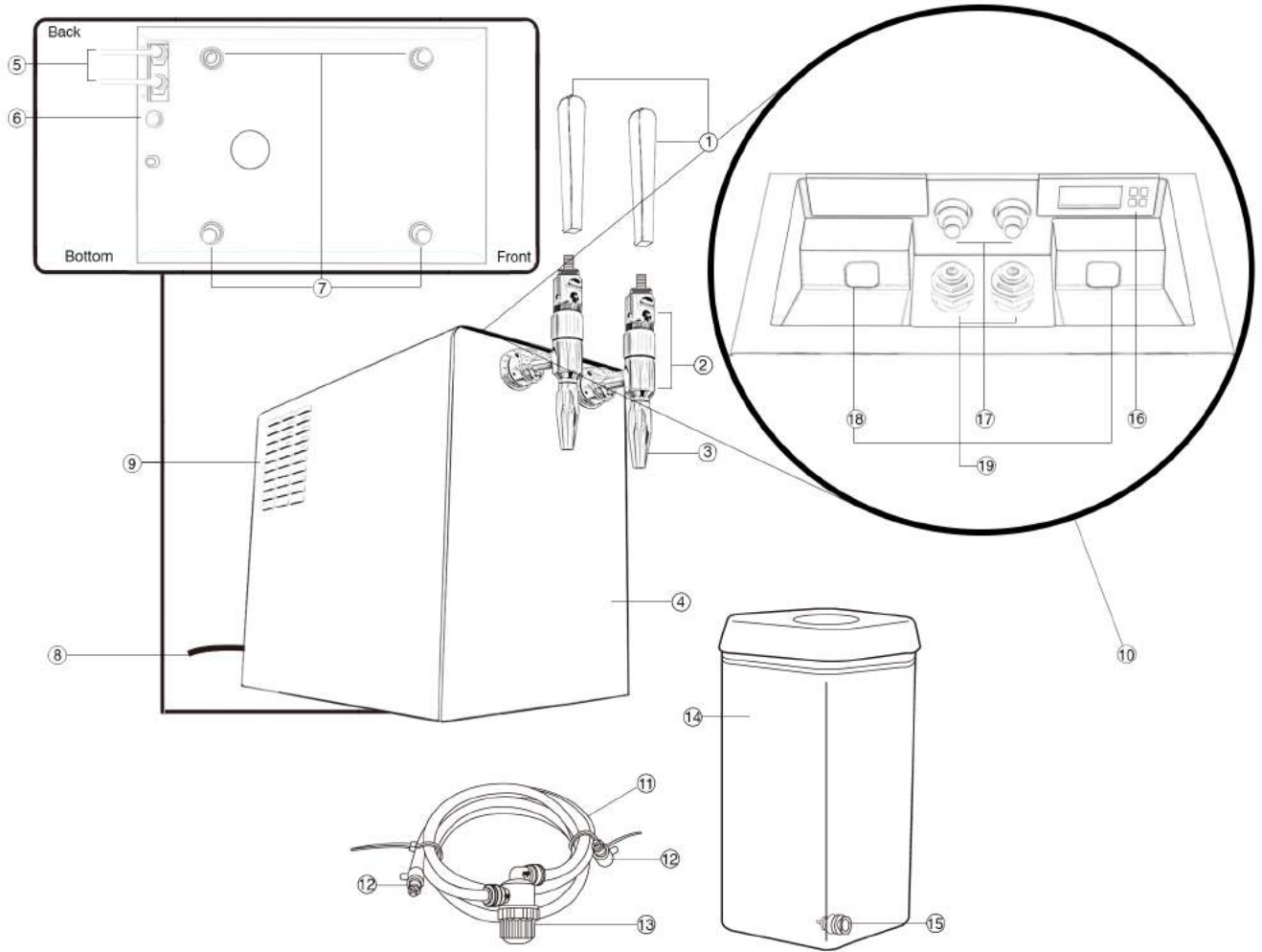
The Nitro V2PX pulls any filtered liquid from a pressurized or unpressurized container. It chills the liquid to 2°C and infuses it with atmospheric nitrogen.

Viscosity of Liquid

Ensure that your beverage has been filtered in order not to clog the pre-filter or if that has been bypassed, not to clog the machine. Thick liquids risk slowing down the liquid pump inside the Nitro V2PX. The Nitro V2PX comes with a pre-filter that is already fitted onto the beverage tube. If the pre-filter is not attached you can risk damaging components inside the Nitro V2PX.

Beverage container

Any pressurized or non-pressurized container can be used depending on what is required. We recommend using the designated BROOD container (sold separately).



- 1 - Tap Handle
- 2 - Tap Body
- 3 - Nozzle
- 4 - Exterior
- 5 - Inlet Connector
- 6 - Main ON/OFF Switch
- 7 - Legs
- 8 - Power Cord
- 9 - Vents
- 10 - Control Panel
- 11 - Beverage Tube
- 12 - Elbow Connectors
- 13 - Pre-Filter
- 14 - BROOD Beverage Container
- 15 - Inlet for Container
- 16 - Thermostat
- 17 - Nitrogen Dial
- 18 - Pump ON/OFF Switch
- 19 - Ventilation Valve

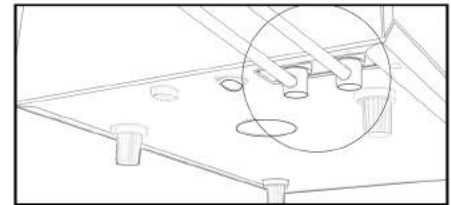
Specifications

Width (mm)	300
Height (mm)	350
Depth (mm)	445
Weight (kg)	24.0
Dispensing Capacity	52 litres per hour
Coffee Temp at Tap	2°C (+/- 1°C)

Power Supply	100 - 120 V / 60 Hz 207 - 240 V / 50 Hz
Nominal Power	334 W

Setup

- 1** **Install on a clean and dry surface.**
Allow no less than 5 centimeters of space from all sides.
- 2** **Assemble the tap handles.**
- 3** **Plug the power cord into an electrical outlet.**
- 4** **Connect each beverage tube to the Nitro V2PX by pushing the elbow fitting into the connections underneath the machine.**
Tilt the machine slightly if you need to.
If you need to release a beverage tube, push the metal spring next to the connection underneath.
- 5** **Connect the beverage tubes to the pre-filters.**
Make sure the arrow at the base of the pre-filter is pointing in the direction of the flow.



If you do not use the pre-filter, the following problem may occur:

Blockage in the machine due to large coffee particles.
Make sure all tubes are pushed firmly in place.

Connect to Container

Connecting to the designated BROOD container.

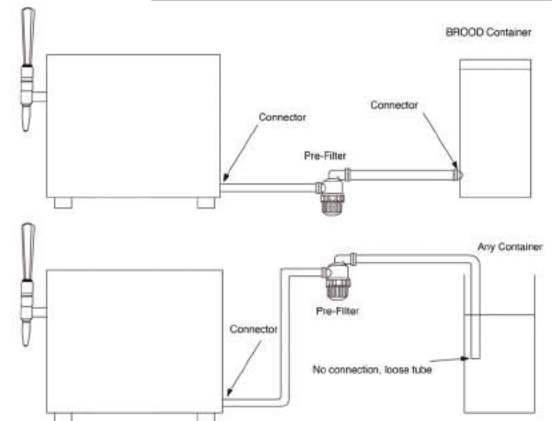
- 1** **Pour your beverage into the designated container.**
Close the lid and push the seal.
- 2** **Push one of the elbow fittings into the connector at the bottom of the container. And push the other fitting into a connector at the bottom of the machine.**
- 3** **Make sure the arrow at the base of the pre-filter is pointing in the direction of the flow.**

Connecting to *any* container.

- 1** **Pour your beverage in any container.**
- 2** **Push the elbow fitting into a connector at the bottom of the machine.**
- 3** **Drop the loose end of the beverage tube into the container containing your beverage.**
- 4** **Make sure the arrow at the base of the pre-filter is pointing in the direction of the flow.**
The Nitro V2PX will pull from any container, pressurized or non-pressurized. If using kegs, then attach your beverage tubes to keg couplers. If using bag-in-box, then attach your beverage tubes to bag-in-box adaptors.



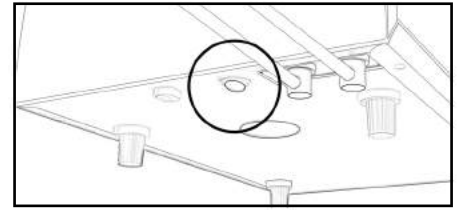
Liquid containing solid matter cannot be used. Never run hot liquid through the Nitro V2PX.



Steps

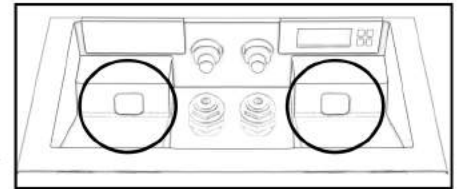
- 1 Switch on the main ON/OFF button at the bottom of the machine.**

There will be a red light when the switch is on.



- 2 Switch on both pump ON/OFF buttons located in the control panel. Each ON/OFF button corresponds to a tap.**

There will be a red light when the switch is on.



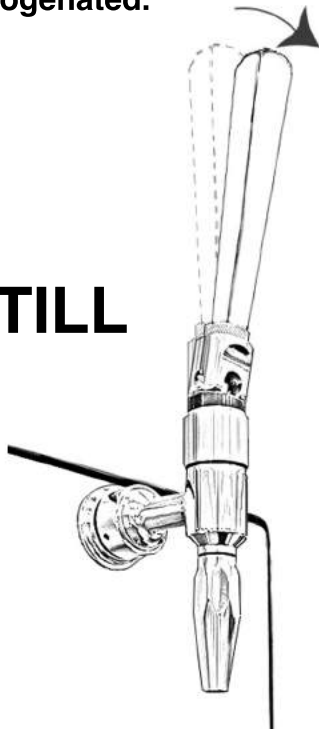
- !** The pump will automatically turn off if it runs dry for one minute. This will notify the operator that the beverage container is empty. Simply switch the pump off, then on again to reset.

- 3 Place your cup beneath the stout at an angle.**

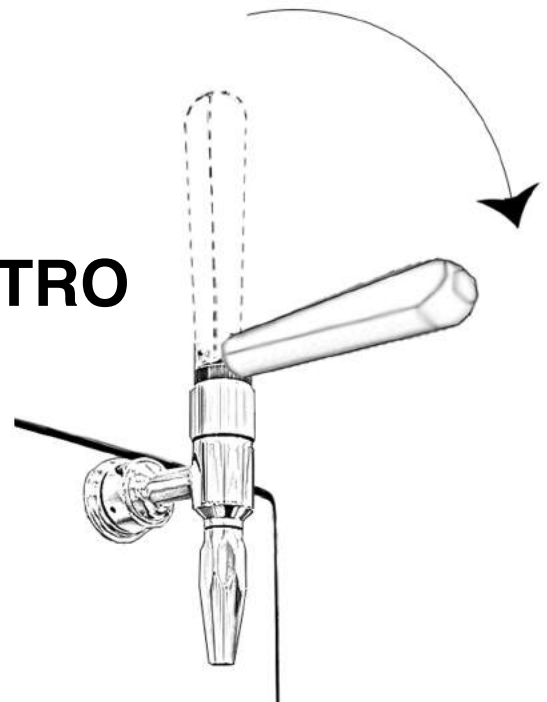
- 4 To pour a STILL beverage, pull the tap SLIGHTLY downward. The pour will NOT be nitrogenated.**

To pour a NITRO beverage, pull the tap FULLY downward by 90°. The pour will be nitrogenated.

STILL



NITRO



Please note, if the last pour was nitro cold brew and the operator wants the next pour to be still cold brew, there will be less than 10 mL (0.34 oz) of nitro cold brew in the tap that will come out. Every subsequent still cold brew pour will come out fully still, until the next nitro cold brew pour.

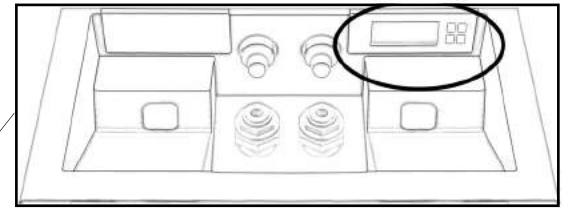
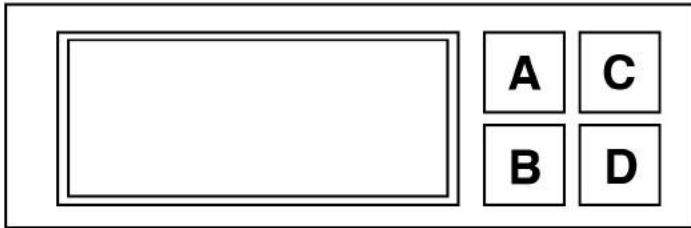
- 5 Return the tap to the start position when you have completed the pour.**

- !** Make sure the pre-filter adapter is installed in the beverage tube. Ensure that the coffee is filtered with a fineness of at least 100 μm (microns).
Not using the pre-filter risks damaging the internal components of the Nitro V2PX.

Temperature Control

Factory default setting: 2°C

Please locate the thermostat in the control panel.

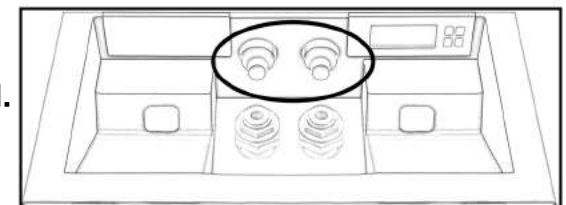


Note: buttons have been labelled A, B, C, and D for ease of reference.

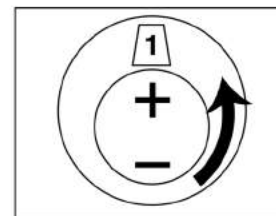
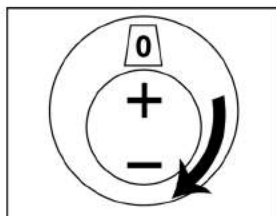
- 1** To turn on the fridge, press button A.
- 2** To unlock the fridge, hold button C and D simultaneously for 5 seconds. The display will read “on.”
- 3** To turn off the fridge, keep your finger pressed on button A for 5 seconds.
- 4** The thermostat locks automatically after 30 seconds. The display will read “LoC.”
- 5** To adjust the temperature, unlock the thermostat as in step 2, then press C or D to increase or decrease the temperature. Then press B to set the thermostat. After 20 seconds, the display will read the current temperature of the fridge.
- 6** If the operator sets the temperature at freezing, it runs the risk of freezing the Cold Brew. If this happens, turn off the fridge as described in step 2. Keep off for 2 hours.

Nitrogen Calibration

Factory default setting: 6



- 1** Locate corresponding nitrogen dials in control panel.
- 2** Gently pull the grey knob outward until it clicks.
- 3** To decrease the level of nitrogen, turn the dial clockwise following the minus sign. When complete, gently push the dial until it clicks in place.
- 4** To increase the level of nitrogen, turn the dial counter-clockwise following the plus sign. When complete, gently push the dial until it clicks in place.



Clean & Maintain



Follow the cleaning procedures below as it is essential to both extend the life of the Nitro V2PX, and to achieve the desired flavor of cold brew.



The Nitro V2PX needs to be flushed with water every 24 hours. In addition, it must be cleaned every week as described in the steps below.

Daily Flush

- 1 **Replace the cold brew in the container with clean water. Pull each tap downwards and keep them in this position until all the cold brew is flushed out of the Nitro V2PX and clean water begins to come out from the taps.**
Return the taps to the idle position and switch off the Nitro V2PX.

Weekly Cleanse

- 1 Repeat the steps described in the above section titled “Daily Flush.”

- 2 **Unscrew nozzles from the taps by turning them counter-clockwise. Please wash the nozzles with clean water.**

After washing, please reassemble them onto the taps.

- 3 **Unscrew covers of pre-filters by turning them counter-clockwise. Remove the stainless steel mesh and wash with clean water.**

Make sure the stainless steel mesh is not clogged.

- 4 **After this procedure is complete, switch on the Nitro V2PX from the main power source underneath.**

- 5 **Switch on both pump ON/OFF buttons.**

- 6 **Prepare the cleaning solution.**

Dissolve any espresso cleaning detergent in water to create a cleaning solution. Follow the directions outlined as per the cleaning detergent.

- 7 **Pull both taps downward to run the solution through the Nitro V2PX.**

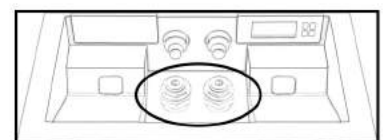
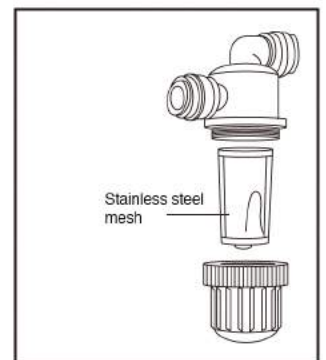
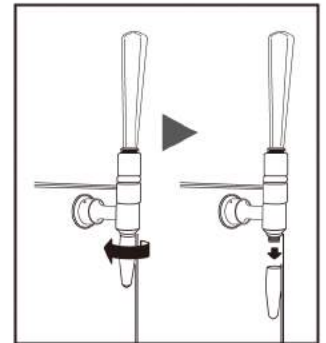
Keep pouring until all the solution has been flushed through the dispenser.

- 8 **Fill the container with water again and pull both taps downward to flush the Nitro V2PX with water. Keep pouring until all the water has emptied.**

Connect two 5/16" tubes to each ventilation port (circled on the right) and drop the loose end of the tube into the container of water.

Observe water being sucked into each ventilation port.

Only use clean water and NOT the cleaning solution for this step.



BROOD recommends the following cleaning detergent: *1-2-COLD BREW Cleaner by Urnex*

Quick Solutions

Problem	Cause	Solution(s)
Not enough crema or too much crema.	The nitrogen dial is not set correctly.	Pulling the tap fully downward will pour a nitro cold brew irrespective of the number on the dial. However, at 0 the crema will be less than at 2.
Too many large bubbles.	Beverage tube is not pushed in firmly.	Release the elbow fitting by pushing the spring underneath the Nitro V2PX and reconnect. If not resolved, then check if o-ring on tip of elbow connector is not damaged.
Product is not cold enough.	The temperature setting is too high.	Check to see if the main switch underneath the machine is on. Follow the instructions in the manual to change the thermostat setting.
	The cold brew in the container is too hot.	The variance between the cold brew in your container and at the tap is 20°C. This means if your cold brew is 22°C (room temperature), then the nitro cold brew at the tap will be 2°C.
The Nitro V2PX is not pouring cold brew.	The pre-filter is clogged.	Unscrew the cap and check if the pre-filter is clogged. Remove any sediment and then re-attach.
	There is no electrical power connected to the machine.	Check to see if the main switch underneath the Nitro V2PX is on. Then check to see if the pump switch in the control panel is on. If either one is off, please switch them on. If the pump switch is flashing, switch it off then on to reset the pump.
	The pump ON/OFF switch needs to be reset.	When your container is empty, the pump turns off and the ON/OFF switch flashes red. Switch it off then on to reset the pump.
	The cold brew in the machine is frozen. If the cold brew in the external container is close to 0°C, then the dispenser might freeze the cold brew in the cooling block.	Disconnect the machine from its power supply. Wait 2 hours before trying to pour again.
	If the Nitro V2PX is used without a pre-filter in the beverage tube, coffee particles may get into the pump and damage or block valves. Liquid may not be drawn in anymore.	The machine and the pump must be flushed with tap water. <ol style="list-style-type: none"> 1. Unscrew the tap nozzle. 2. Connect the beverage tube to the inlet connector. 3. Disconnect the pre-filter. 4. Switch the machine off. 5. Attach a tube from a water main to the tap in order to reverse flush the machine with water. 6. Re-attempt normal operation to check if the blockage is gone.

Q. I just received my Nitro V2PX, how do I set it up?

A. Please follow the instruction manual that comes with the Nitro V2PX. It is easy to set up!

Q. Where do I put my cold brew coffee or tea?

A. The Nitro V2PX can pull cold brew from any pressurized or non-pressurized container. The Nitro V2PX comes with beverage tubes that clip into the dispenser from underneath. The other ends are loose so that an operator can drop them into any container. Alternatively, an operator can attach a keg coupler, bag-in-box adaptor, or an elbow fitting to the other end of the beverage tubes in order to connect them to a keg, bag-in-box, or BROOD container respectively. Please watch our instructional video on our website.

Q. I am not getting enough crema, what should I do?

A. Firstly, pull the tap fully downward (90°) to trigger nitrogen infusion. Pulling it only a little bit will yield still cold brew only. Secondly, rotate the nitrogen dial by following the (+) sign to increase the amount of nitrogen. Thirdly, the pre-filter might be clogged and in need of cleaning. Check our troubleshooting section.

Q. I am getting large bubbles in my nitro cold brew, what should I do?

A. First, rotate the nitrogen dial in the control panel to decrease the amount of nitrogen infused into your beverage. Secondly, make sure all the tubes are pushed in firmly and there is no air seepage. Observe if there are any air bubbles flowing through the beverage tubes. Air that seeps into the tubes will ultimately come out at the tap in the form of air bubbles. This will also happen if your beverage tube is sucking in air from a loose connection.

Q. My beverage is not cold enough, how do I make it colder?

A. Follow the instructions in section "Temperature Control" on page 6 to decrease the temperature.

Q. The Nitro V2PX is not pouring cold brew, what should I do?

A. There are several reasons why this may happen. All of them are easily remedied. Please follow our troubleshooting guide in this instruction manual.

Q. When I pour many glasses of nitro cold brew continuously, the fourth one is sometimes slightly less chilled than the first one. Why is that?

A. We recommend pouring for 45 seconds and then pausing for 15 seconds before every pour. This allows the cold brew inside the fridge to chill to your desired temperature.

Q. The Nitro V2PX has a humming sound that comes and goes, why?

A. This is the sound of the fridge compressor. When there is a humming sound this means that the fridge is cooling down to the pre-set temperature. When the sound stops this means that the compressor has also stopped as the desired temperature has been reached.

Q. I have the fridge set at the coldest possible temperature, but the beverage is not cold enough, why is this?

A. The variance between the cold Brew in your container and at the tap is 20°C. This means if your cold brew is 22°C (room temperature) then the nitro cold brew at the tap will be 2°C.

Q. Do I need to keep a gap between the vents on the side and top of the Nitro V2PX and the nearest wall?

A. Yes, just allow a 5 centimeter gap for the side vents and the top.



The warranty period is 1 year. Please review our warranty terms and conditions.

In order for the products to be stable, long lasting, AND covered under this manufacturer's warranty, these requirements must be met:

The BROOD Nitro V2PX is designed to be installed in interior areas with relative humidity levels of 35%-60% and operate at temperatures between (7°C - 32°C). The Nitro V2PX must be stored at temperature between (2°C - 37°C). Prior to opening original packaging or installation material, ensure that the spaces are enclosed and completely weatherproof, and the building temperature and humidity conditions are consistently maintained at the indicated levels. The product MUST be stored in an environmentally controlled space at all times. Do not store the product in direct sunlight.

THIS WARRANTY DOES NOT COVER:

- Any machine NOT distributed by BROOD Refreshments Company Ltd.
- Any machine NOT purchased from an Authorized BROOD Dealer (email us at hello@drinkbrood.com to check for authorized dealers or check our website at www.drinkbrood.com).
- Damage caused by accident, abuse, negligence, or misuse.
- Improper operation or failure to follow instructions contained in the manual.
- Any service or alteration performed by an unauthorized person, company or association.
- Damage caused by neglecting to clean and/or maintain upkeep of the Nitro V2PX.
- Damage caused by use of instant coffee or any other ingredients not allowed in the dispenser.

This warranty is not transferable and applies to the original purchaser only.

The warranty period begins on the delivery date. If our transportation, storage or installation instructions are not followed, any warranty shall lapse. The warranty period is 1 year. The purchaser must inform BROOD Refreshments Company Ltd in writing of any transportation damages without delay, but at the latest within one week of arrival of the equipment. The purchaser must cease any processing or handling of the damaged units. BROOD does not accept any guarantee against defects which are due to improper storage or use of the products. The storage and use of the products presuppose that full knowledge and experience of the technology is taken into account to avoid detrimental effects on the quality and stability. This warranty does not cover damage caused by improper maintenance or by use contrary to our recommendations. There are no implied warranties, representations or conditions, except those required by statute, and they shall not extend beyond the term of the warranty applicable to your purchase.

CLEANING IS A CRITICAL PART OF MAINTAINING THE LONGEVITY OF THE NITRO V2PX

- Prior to installation, use a clean soft cloth that has been dampened to remove dust or other foreign materials from panel surfaces. Dirt and grit should not be allowed to build up as these may scratch the finish during setup.
- Do not apply soap or cleaner directly to panel surfaces. Apply water to cloth and then wipe panel surfaces. Do not apply any solvents to panel surfaces, even by transfer from a cleaning cloth.
- Damage from solvents may not be immediately noticeable upon application. Do not use brushes to clean panels or vents as bristles will scratch panel surfaces.
- Daily flushing of the Nitro V2PX as outlined in the operation manual is required.
- Cleaning the Nitro V2PX consistently is crucial to the operation and lifespan. Any negligence in daily cleaning and upkeep of the Nitro V2PX will risk damaging the machine over time.

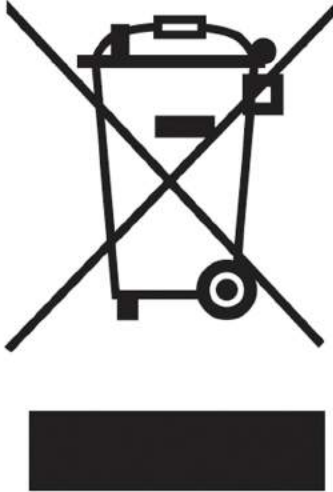


To make a warranty claim, please email hello@drinkbrood.com. For faster service, locate the model type and serial number, and include them in your email.

Storage

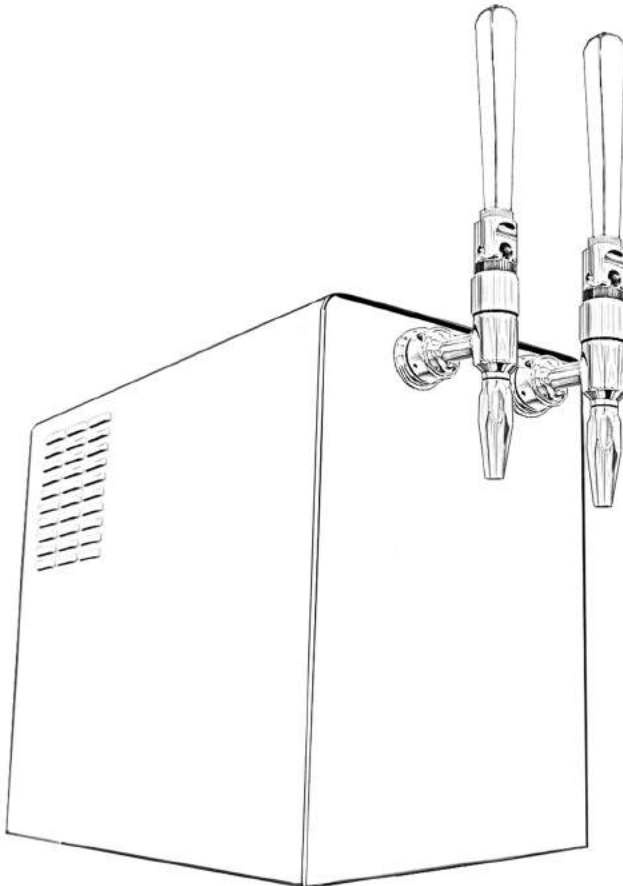
Before placing the Nitro V2PX out of service for a period longer than 2 weeks, we recommend the weekly cleanse as per the instructions in the Care section. Store the Nitro V2PX in a dust-free environment between 2°C and 37°C.

Disposal



The packing materials can be recycled. Unplug the appliance and cut the power cord. Deliver the appliance and power cord to a service centre or public waste disposal facility. This product may not be treated as household waste. Instead it shall be handed over to the applicable collection point for the recycling of electrical and electronic equipment. By ensuring this product is disposed of correctly, you will help prevent potential negative consequences for the environment and human health, which could otherwise be caused by inappropriate waste handling of this product. For more detailed information about recycling of this product, please contact your local city office, your household waste disposal service or the shop where you purchased the product.

CONTACT



BROOD Refreshments Company Ltd.

hello@drinkbrood.com
www.drinkbrood.com

+1 (514) 549-9670
Monday to Friday
from 10.00 am to 6.00 pm ET

1585 Britannia Road E - Unit C10
Mississauga ON, Canada
L4W 2M4